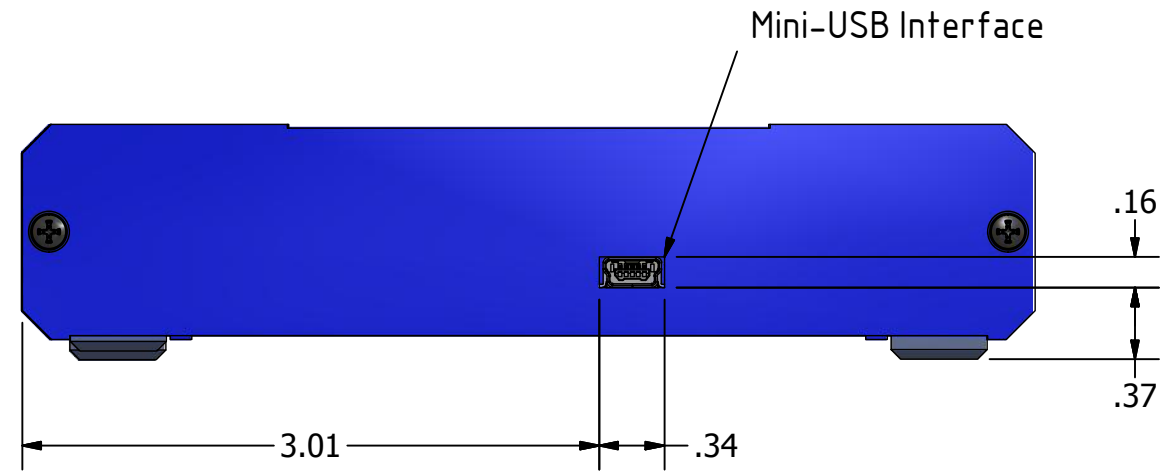
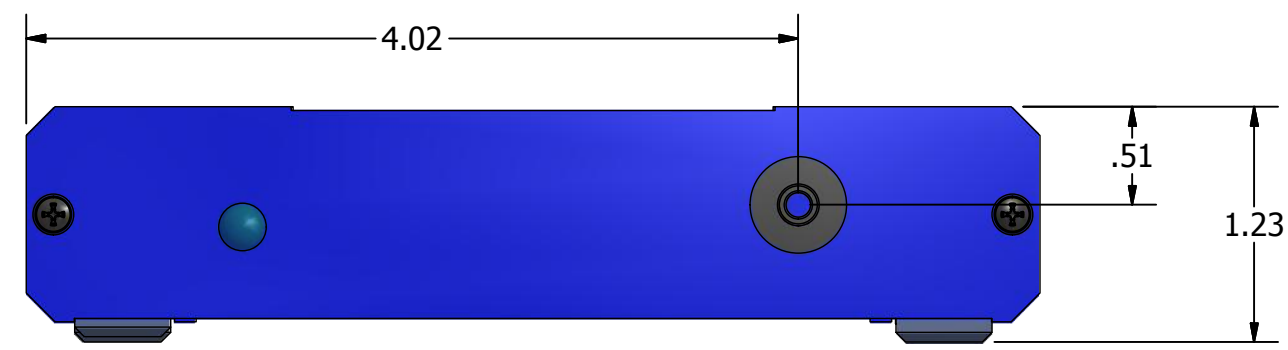


905-SMA connector



- Spectrometer Features:**
- Measurements in the 200-1150nm wavelength regions
 - For process, lab, field and OEM applications
 - signal: noise = 1000:1
 - High-speed 16-bit electronics for fast data acquisition
 - 1x3x5 inch enclosure allows for eXtreme portability
 - New! low power consumption for 2x longer lifetime on tablets/laptops

Please contact StellarNet Sales at:
+1(813) 855-8687
www.stellarnet.us



THIS DOCUMENT CONTAINS CONFIDENTIAL AND PROPRIETARY INFORMATION THAT CANNOT BE REPRODUCED OR DIVULGED, IN WHOLE OR IN PART, WITHOUT WRITTEN AUTHORIZATION FROM STELLATNET, INC.

DRAWN Zach C.	11/2/2016
Dimensions in INCHES unless otherwise specified	
.x	± .03
.xx	± .015
.xxx	± .005

StellarNet, Inc.			
TITLE			
BLUE-Wave Miniature Spectrometer			
SIZE	DWG NO	REV	
A3	Blue-Wave Assy		
SCALE	SHEET 1 OF 1		